

# PROJECTOR LIFTS

- now you see me, now you don't.

## Some considerations...

Some issues need to be taken into consideration before choosing your projector lift. As a guide to help you find the best solution for your individual use, we have listed the most common and important questions below.

### How large is the projector?

To select the correct model, check the size and weight of projector before choosing your lift.

### How far must the projector descent into the room?

Generally the projector's lens should be at the same height as the top of the screen's viewing area, however verify the exact position with the specification of your projector.

### How much space do I have left above the ceiling?

Space will be needed for the height of lift, the projector and the closure panel, and allowance for mounting items, workspace plus ventilation.

### Am I dealing with an acoustical tile or drywall ceiling?

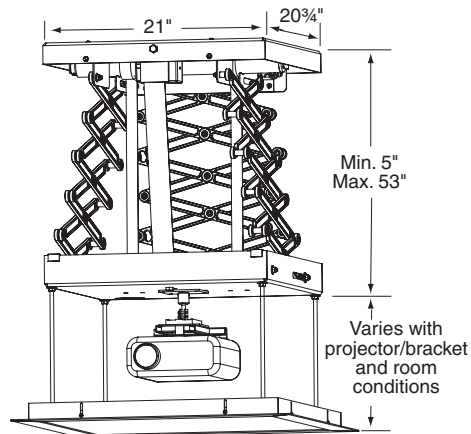
A ceiling access door is recommended when installing in ceilings without access to the top of the lift.

### Is the available space above the ceiling a plenum air return?

Housing is an optional choice and is strongly recommended since it protects the projector both from dust and theft.



The Cosmo lift has a scissor lift arrangement.



Euroscreen® expands our range of Audio Video products to now also offer projector lifts. These keeps the projector hidden when it is not in use, which offers both the advantage of a sophisticated appearance and the benefit of prevention of theft and damage to the projector. The projector lifts are obtainable as motorised video projector lifts which are all design to help you mount the projector of your choice at or above the ceiling line. Additionally to projectors, the lifts can also be used to recess speakers, security cameras, video conferencing cameras etc. For full advantage of Euroscreen® concealing design concept please also learn more about Sesame™ projection screen and Commander Control System™ ([www.bjurab.se](http://www.bjurab.se)).

### The Cosmo lift

This small and neat lifting system not only conceals the projector above a suspended ceiling when not in use, it also allows accurate positioning in front of the screen. Scissor lift arrangements allows for decent and ascent of complete projector unit. The Cosmo is ideal for lowering projector below any technical or architectural obstacle on ceiling. Both ceiling closure panel and projector mount for projector are supplied as standard. Housing for Cosmo lift protects both from theft and dust and is an optional choice.

- lightweight chassis unit mounts securely to ceiling substrate within void
- compact dimensions of three-scissor arrangement minimise ceiling void required
- both up and down stop positions can be adjusted and set
- straps and belt provide safe operation
- lift height is only 13 cm, plus that of projector and grid
- suitable for LCD/DLP projectors up to 16 kg
- maximum distance between ceiling substrate and suspended tiles is 53,5 cm

### Dimensions & Data for Cosmo (nominal)

Height of lift in closed position (not projector, mount or closure included)...	13 cm
Overall lift dimensions (W x L).....	53,5 x 53 cm
Ceiling opening (W x L).....	60 x 60 cm
Net weight of lift.....	16 kg
Lifting capacity.....	16 kg
Maximum projector size (W x L) .....	51 x 51 cm
Control options .....	Wall switch, IR, RF or RS232 codes

